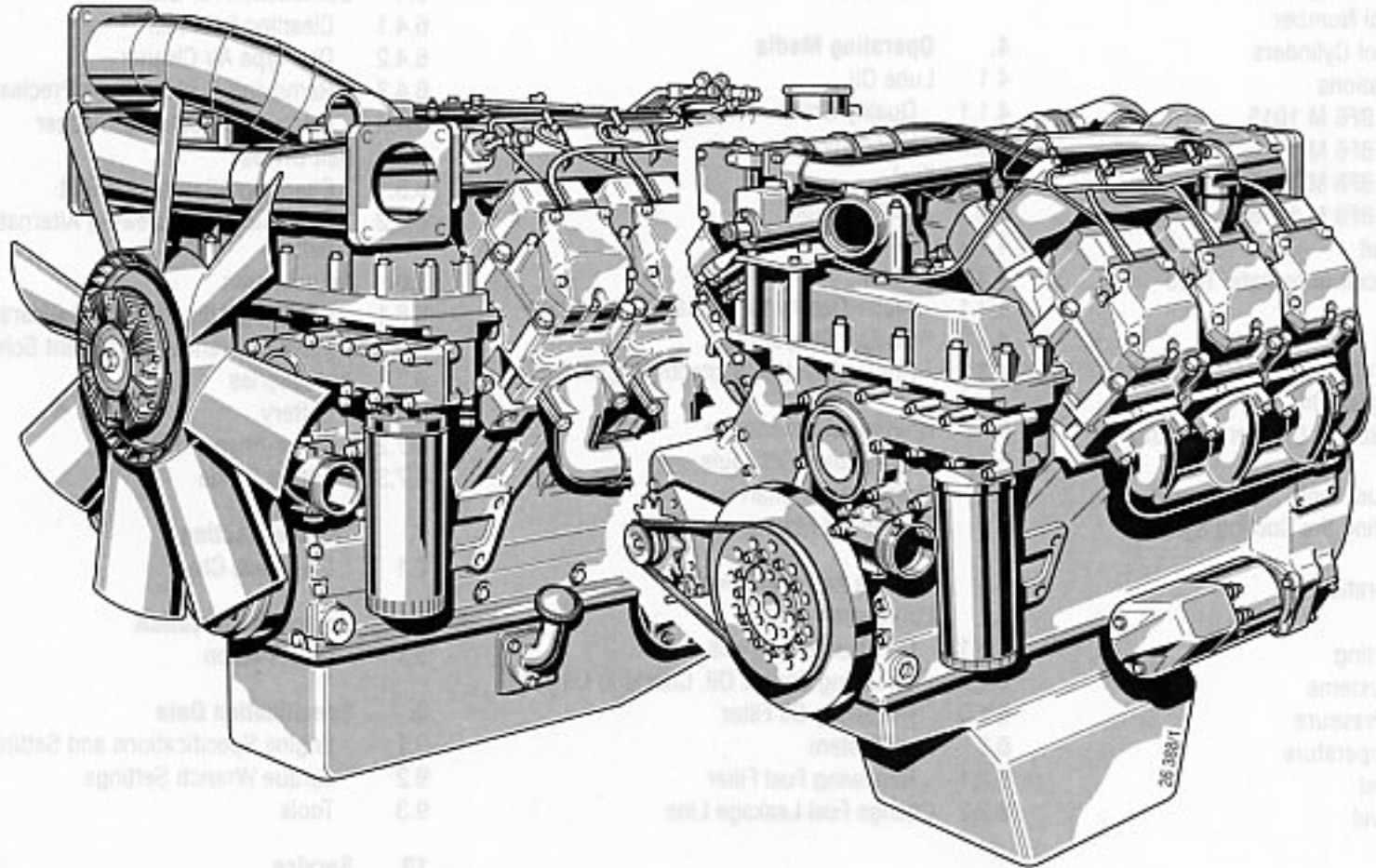


Operation/Maintenance BFM 1015

General Information



Operation/Maintenance BFM 1015

General Information



DEUTZ Diesel Engines

are the product of many years of research and development. The resulting know-how, coupled with stringent quality standards, guarantee their long service life, high reliability and low fuel consumption. It goes without saying that DEUTZ Diesel Engines meet the highest standards for environmental protection.

Beware of Running Engine

Shut the engine down before carrying out maintenance or repair work. Ensure that the engine cannot be accidentally started. Risk of accidents. When the work is complete, be sure to refit any panels and guards that may have been removed. Never fill the fuel tank while the engine is running. Observe industrial safety regulations when running the engine in an enclosed space or underground.

Care and Maintenance

Sound care and maintenance practices will ensure that the engine continues to meet the requirements placed on it. Recommended service intervals must be observed and service and maintenance work carried out conscientiously. Special care should be taken under abnormally demanding operating conditions.

Safety



This symbol is used for all safety warnings. Please follow them carefully. The attention of operating personnel should be drawn to these safety instructions. General safety and accident prevention regulations laid down by law must also be observed.

Asbestos



DEUTZ original parts are asbestos-free.

Service

Please contact one of our authorized service representatives in the event of breakdowns or for spare parts inquiries. Our trained specialists will carry out repairs quickly and professionally, using only genuine spare parts. Original parts from DEUTZ AG are always produced in accordance with state-of-the-art technology. Please turn to the end of this manual for further service information.

California Proposition 65 Warning

Diesel engine exhaust and some of its constituents are known to the State of California to cause cancer, birth defects, and other reproductive harm.

Operation/Maintenance BFM 1015

▲ Engine Description



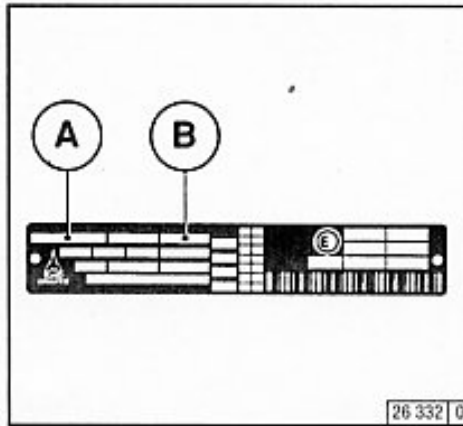
- 2.1 Model Designation**
- 2.2 Engine Illustrations**
- 2.3 Lube Oil Circuit**

Operation/Maintenance BFM 1015

Engine Description: Model Designation



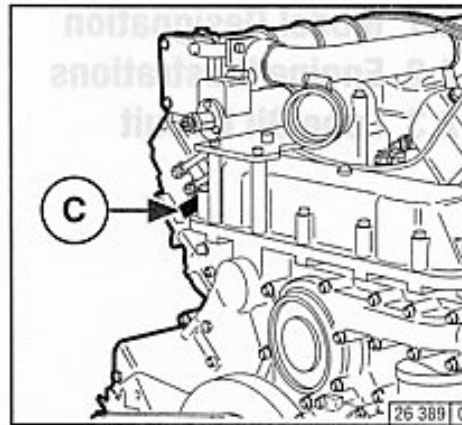
2.1.1 Rating Plate



The model designation **A**, the engine serial number **B** and the performance data are stamped on the rating plate.

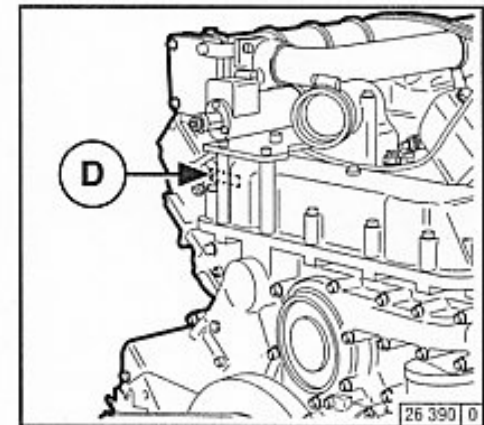
When ordering spare parts, it is essential to quote the model designation and the engine serial number.

2.1.2 Location of Rating Plate



The rating plate **C** is affixed to the crankcase.

2.1.3 Engine Serial Number



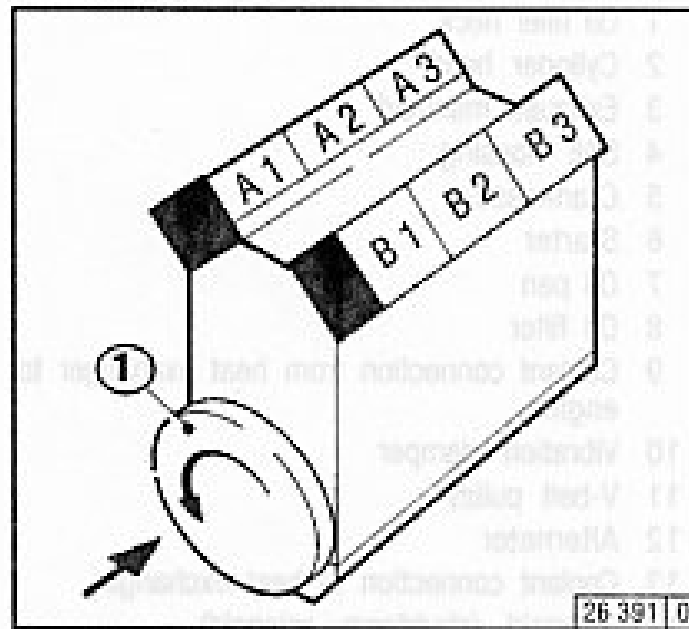
The engine serial number is stamped on the crankcase itself (arrow) and on the rating plate.

Operation/Maintenance BFM 1015

Engine Description: Model Designation



2.1.4 Numbering of Cylinders



The cylinders are numbered consecutively for either cyl. bank A or B, beginning at flywheel end.